



RenseWAI DP Purist

The RenseWAI DP PURIST Type 1 Ultrapure Lab Water System produces ultrapure water from either EDI or Reverse Osmosis (RO) or distilled or deionized water, as feed source

Features

- Automatic system recirculation every hour, to prevent bacteria from growing inside the system
- Ultra purification cartridge is filled with LeFiL™ and OrganeFiL™ media to remove trace ions and organics.
- A full range of cartridges for various applications including ultra-low TOC, low Mg, low boron, ICP and DI type.
- Alarm and maintenance info on a large color LCD monitor
- Small compact footprint that occupies minimal space in your lab
- Ergonomically designed to ensure a simple installation, operation and easy maintenance

Main Applications

Ultrapure Water

- HPLC mobile phase preparation
- Preparation of reagent blank solution
- As sample diluents for GC, HPLC, AA, ICP-MS and other analytical techniques
- Preparation of buffer and culture media for mammalian cell culture
- Preparation of molecular biology reagents, etc.
- Preparation / dilution of HPLC mobile phases, blanks, sample and buffers in GC, HPLC, AA, ICP-MS and other advanced analytical techniques
- Preparation of media for mammalian cell culture, IVF, reagents for molecular biology applications



RenseWAI

Specification

Feed Water Requirements

- Feed Water – Either (RO + EDI) or RO water or Distilled water or De-Ionized water
- Feed water conductivity < 5 $\mu\text{S}/\text{cm}$ or lesser preferable
- Feed water pressure – (0 – 1) bar or (0 – 15) psi
- Operating temperature (5 – 35) $^{\circ}\text{C}$

Flow rate

- Type 1 or Ultrapure Water dispensing flow rate – (1 – 1.5) L/min @25 $^{\circ}\text{C}$

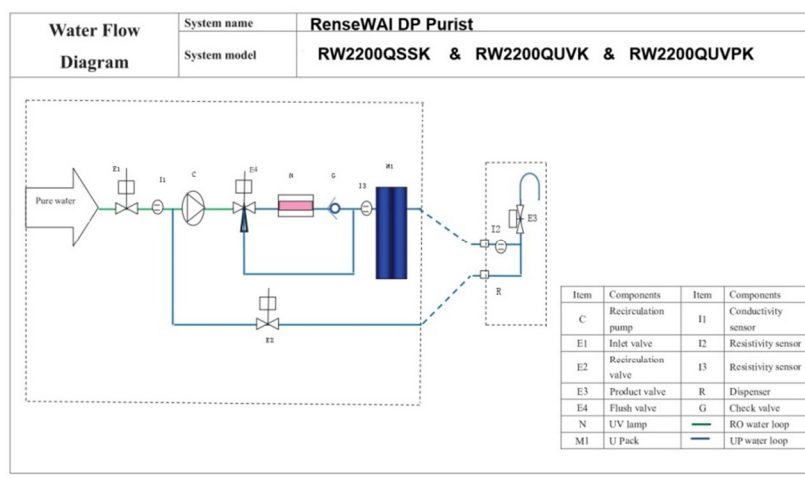
Product Water Quality

- Type 1 Ultrapure water resistivity (@25 $^{\circ}\text{C}$) – 18.2 $\text{M}\Omega\cdot\text{cm}$
- Type 1 Ultrapure water TOC < 5 ppb (If feed water TOC < 30 ppb, preferably with (RO + EDI) technology)
- Particles in Ultrapure water of > 0.2 μm - No particles (with a 0.2 μm final filter or Bio filter unit)
- Microorganisms in Ultrapure water - < 0.01 cfu/ml (with a 0.2 μm final filter or Bio filter)
- Pyrogens (Endotoxins) in ultrapure water < 0.001 EU/ml (with a Bio filter)
- RNase in ultrapure water < 0.5 pg/ml (with a Bio filter)
- DNase in ultrapure water < 10 pg/ml (with a Bio filter)

Power

- Input Voltage - 110 - 240 VAC
- Wattage < 55 W

Flow Chart



Ordering Information

SI.No.	Description	Catalogue No.
1	RenseWAI DP Purist System SET	RW2200QSSK
2	RenseWAI DP Purist UV System SET	RW2200QUVK
3	RenseWAI DP Purist UV with Dispenser SET	RW2200QVVPK



RenseWAI

Contents of the Set

RenseWAI DP PURIST Set consists of :-

1. Main system
2. Quatro U Pack 1 Cartridge
3. Final Filter 0.22 micron

(Please note that feed water reservoir would be needed, based on the daily consumption. Not included in the set)

Photographs (Representative only)



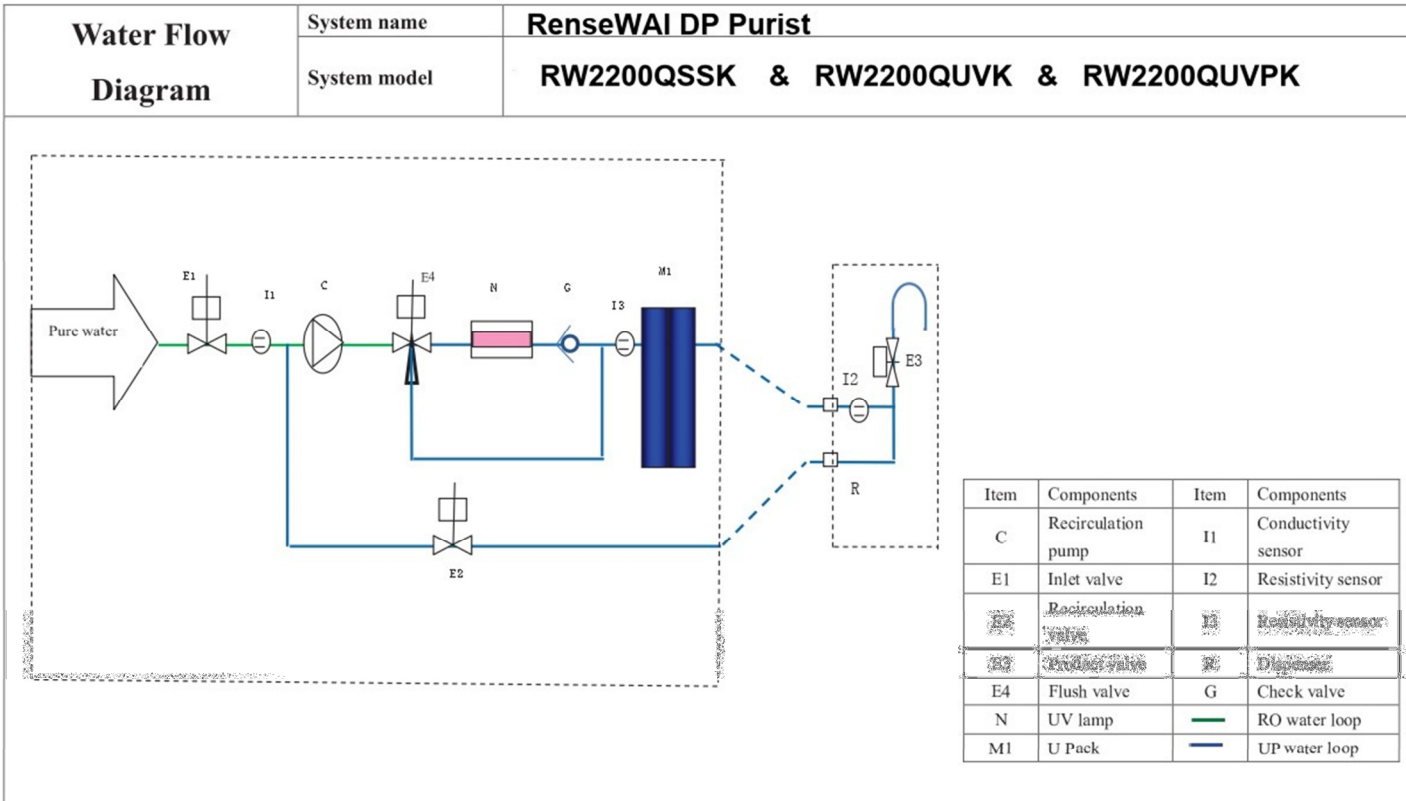
(Disclaimer – Please note photographs are for representation purpose only & can vary from the actual system)



RenseWAI is the registered trademark of M/s. Pramuk Healthcare



RenseWAI



RenseWAI

